

NOTES:
 RATED VOLTAGE:
 3, 4 contacts 250V
 5 contacts 60V
 8 contacts 30V
 RATED CURRENT:
 3, 4, 5 contacts 4A
 8 contacts 2A
 PROTECTION CLASS: IP 67

CONTACTS POSITION FRONT VIEW:

	3 CONTACTS	4 CONTACTS	5 CONTACTS	8 CONTACTS																																																
MALE																																																				
CONNECTIONS	<table border="1"> <tr><th>PIN</th><th>WIRE</th></tr> <tr><td>1</td><td>BROWN</td></tr> <tr><td>3</td><td>BLUE</td></tr> <tr><td>4</td><td>BLACK</td></tr> </table>	PIN	WIRE	1	BROWN	3	BLUE	4	BLACK	<table border="1"> <tr><th>PIN</th><th>WIRE</th></tr> <tr><td>1</td><td>BROWN</td></tr> <tr><td>2</td><td>WHITE</td></tr> <tr><td>3</td><td>BLUE</td></tr> <tr><td>4</td><td>BLACK</td></tr> </table>	PIN	WIRE	1	BROWN	2	WHITE	3	BLUE	4	BLACK	<table border="1"> <tr><th>PIN</th><th>WIRE</th></tr> <tr><td>1</td><td>BROWN</td></tr> <tr><td>2</td><td>WHITE</td></tr> <tr><td>3</td><td>BLUE</td></tr> <tr><td>4</td><td>BLACK</td></tr> <tr><td>5</td><td>GREY OR GREEN/YELLOW</td></tr> </table>	PIN	WIRE	1	BROWN	2	WHITE	3	BLUE	4	BLACK	5	GREY OR GREEN/YELLOW	<table border="1"> <tr><th>PIN</th><th>WIRE</th></tr> <tr><td>1</td><td>WHITE</td></tr> <tr><td>2</td><td>BROWN</td></tr> <tr><td>3</td><td>GREEN</td></tr> <tr><td>4</td><td>YELLOW</td></tr> <tr><td>5</td><td>GREY</td></tr> <tr><td>6</td><td>PINK</td></tr> <tr><td>7</td><td>BLUE</td></tr> <tr><td>8</td><td>RED</td></tr> </table>	PIN	WIRE	1	WHITE	2	BROWN	3	GREEN	4	YELLOW	5	GREY	6	PINK	7	BLUE	8	RED
PIN	WIRE																																																			
1	BROWN																																																			
3	BLUE																																																			
4	BLACK																																																			
PIN	WIRE																																																			
1	BROWN																																																			
2	WHITE																																																			
3	BLUE																																																			
4	BLACK																																																			
PIN	WIRE																																																			
1	BROWN																																																			
2	WHITE																																																			
3	BLUE																																																			
4	BLACK																																																			
5	GREY OR GREEN/YELLOW																																																			
PIN	WIRE																																																			
1	WHITE																																																			
2	BROWN																																																			
3	GREEN																																																			
4	YELLOW																																																			
5	GREY																																																			
6	PINK																																																			
7	BLUE																																																			
8	RED																																																			

FOR OPTION SEE - NUMERICAL CODE - ON SHEET 2

ITEM	QTY.	DESCRIPTION	MATERIAL	FINISH
6	1	LABEL YE	VINYL	-
5	3/4/5/8	CONTACT MA	BRASS	GOLD OVER Ni-PLATED
4	1	INSERT M12 MA XP BK	PUR	-
3	1	COUPLING NUT M12 MA	SEE SHEET 2	SEE SHEET 2
2	-	OVERMOULDING BK	TPU	-
1	-	CABLE	SEE SHEET 2	-

THIS DRAWING CONTAINS INFORMATION THAT IS PROPRIETARY TO MOLEX ELECTRONIC TECHNOLOGIES, LLC AND SHOULD NOT BE USED WITHOUT WRITTEN PERMISSION

SYMBOLS	DIMENSION UNITS	SCALE	CURRENT REV DESC: ADD PN	
▽ = 0	mm	1:1	 CSE M12 XP AC MA STR WSOR XM SE UNSH PRODUCT CUSTOMER DRAWING	
▽ = 0	GENERAL TOLERANCES (UNLESS SPECIFIED)			
▽ = 0	ANGULAR TOL ± °			
▽ = 0	4 PLACES ±			
▽ = 0	3 PLACES ±		EC NO: 601375	2018/07/12
▽ = 0	2 PLACES ±		DRWN: FDAFERNER	2018/07/13
▽ = 0	1 PLACE ±		CHK'D: RSILLER	2018/07/13
▽ = 0	0 PLACES ±		APPR: RSILLER	2018/07/13
□ = 0	DRAFT WHERE APPLICABLE MUST REMAIN WITHIN DIMENSIONS		INITIAL REVISION:	
■ = 0	THIRD ANGLE PROJECTION		DRWN: AKONDRACIUK	2016/11/28
▽ = 0	DRAWING		APPR: MIWASIECZKO	2016/12/06
	SERIES		DOCUMENT NUMBER	DOC TYPE
	A3-SIZE		1200659964	PSD
	120065		DOC PART	REVISION
	SEE SHEET 3		00P	A2
	MATERIAL NUMBER		CUSTOMER	SHEET NUMBER
	SEE SHEET 3			1 OF 3

PART LIST

3 POLE - CABLE B30

MOLEX PN	ENGINEERING No	L [mm]
1200652271	803006B30M010	1000
1200652272	803006B30M020	2000
1200652273	803006B30M050	5000
1200652274	803006B30M100	10000

5 POLE - CABLE B30

MOLEX PN	ENGINEERING No	L [mm]
1200659964	805006B30M006	600
1200659526	805006B30M010	1000
1200659527	805006B30M020	2000
1200659528	805006B30M050	5000
1200659529	805006B30M100	10000

8 POLE - CABLE B41

MOLEX PN	ENGINEERING No	L [mm]
1200659680	808006B41M003	300
1200652302	808006B41M010	1000
1200659453	808006B41M020	2000
1200659776	808006B41M030	3000
1200656003	808006B41M040	4000
1200656004	808006B41M050	5000
1200652305	808006B41M100	10000

4 POLE - CABLE B30 A2

MOLEX PN	ENGINEERING No	L [mm]
1200652275	804006B30M010	1000
1200652276	804006B30M020	2000
1200656001	804006B30M030	3000
1200656002	804006B30M040	4000
1200652277	804006B30M050	5000
1200652278	804006B30M100	10000
1200659440	804006B30M150	15000
1200656066	804006B30M005	500
1200656296	804006B30M080	8000

5 POLE - CABLE B33

MOLEX PN	ENGINEERING No	L [mm]
1200659452	805006B33M020	2000

5 POLE - CABLE B42

MOLEX PN	ENGINEERING No	L [mm]
1200652279	805006B42M010	1000
1200652280	805006B42M020	2000
1200652281	805006B42M050	5000
1200652282	805006B42M100	10000
1200659546	805006B42M200	20000
1200659547	805006B42M300	30000

4 POLE - CABLE B33

MOLEX PN	ENGINEERING No	L [mm]
1200659451	804006B33M020	2000
1200659596	804006B33M020A	2000
1200659597	804006B33M050A	5000

5 POLE - CABLE B55

MOLEX PN	ENGINEERING No	L [mm]
1200659945	805006B55M050	5000
1200659946	805006B55M100	10000
1200659947	805006B55M150	15000

4 POLE - CABLE B55

MOLEX PN	ENGINEERING No	L [mm]
1200659943	804006B55M050	5000
1200659944	804006B55M100	10000

SYMBOLS		THIS DRAWING CONTAINS INFORMATION THAT IS PROPRIETARY TO MOLEX ELECTRONIC TECHNOLOGIES, LLC AND SHOULD NOT BE USED WITHOUT WRITTEN PERMISSION	
	= 0	DIMENSION UNITS	SCALE
	= 0	mm	1:1
	= 0	CURRENT REV DESC: ADD PN	
	= 0	GENERAL TOLERANCES (UNLESS SPECIFIED)	
	= 0	ANGULAR TOL ± °	
	= 0	4 PLACES ±	
	= 0	3 PLACES ±	
	= 0	2 PLACES ±	
	= 0	1 PLACE ±	
	= 0	0 PLACES ±	
	= 0	DRAFT WHERE APPLICABLE MUST REMAIN WITHIN DIMENSIONS	
	= 0	THIRD ANGLE PROJECTION	DRAWING
	= 0		A3-SIZE
		SERIES	MATERIAL NUMBER
		120065	SEE PART LIST
		CUSTOMER	SHEET NUMBER
			3 OF 3

molex

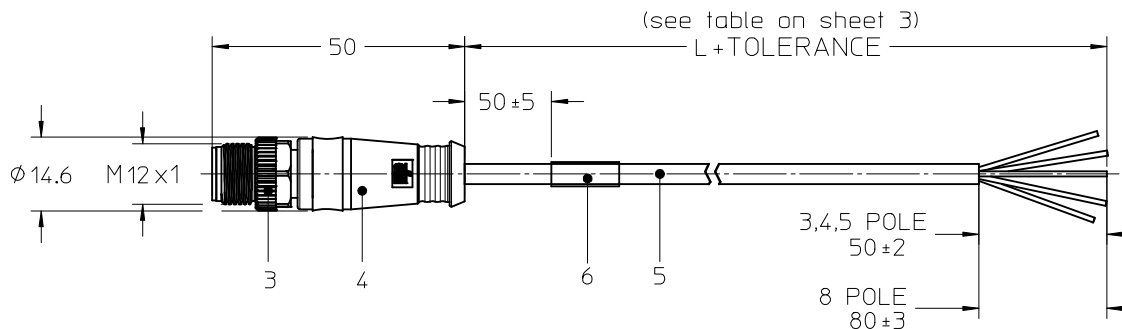
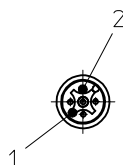
CSE M12 XP AC MA STR WSOR XM SE UNSH

PRODUCT CUSTOMER DRAWING

DOCUMENT NUMBER	DOC TYPE	DOC PART	REVISION
1200659964	PSD	00P	A2

DOCUMENT STATUS	P1	RELEASE DATE	2018/07/13	07:19:06

STRAIGHT PLUG MALE



NOTES:

TEMPERATURE RANGE	SEE TABLE ON PAGE 2
CONTACT CURRENT RATING	3-5 POLES 4A 8 POLES 2A
VOLTAGE RATING	3-4 POLES 250V 5 POLES 60V 8 POLES 30V
PROTECTION CLASS	IP 67

TOLERANCES :	
≤ 1m	+40 mm
1m - 5m	+60 mm
5m - 10m	+80 mm
> 10m	+140 mm
> 20m	+160 mm
> 30m	+1%

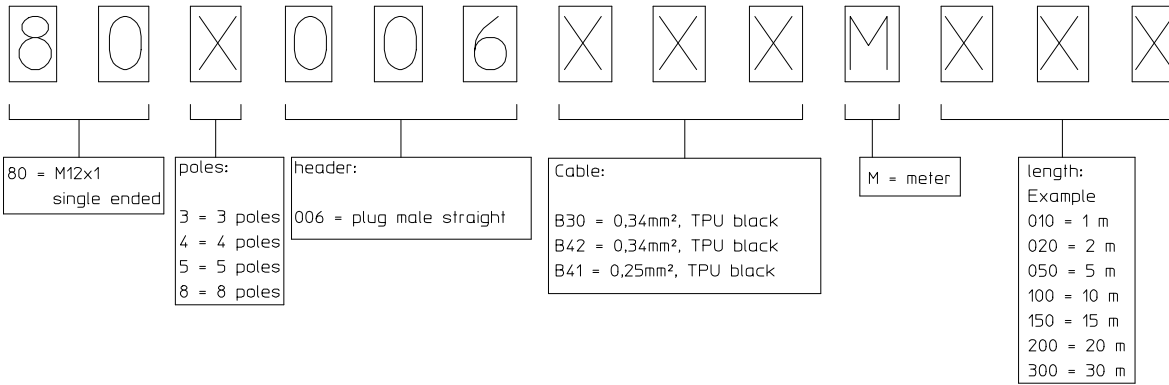
Mating face view:

3 WIRE	4 WIRE	5 WIRE	5 WIRE	8 WIRE
B30	B30	B30	B42	B41
PIN # WIRE	PIN # WIRE	PIN # WIRE	PIN # WIRE	PIN # WIRE
1 BROWN 2 - 3 BLUE 4 BLACK 5 -	1 BROWN 2 WHITE 3 BLUE 4 BLACK 5 -	1 BROWN 2 WHITE 3 BLUE 4 BLACK 5 GREY	1 BROWN 2 WHITE 3 BLUE 4 BLACK 5 GREEN/YELLOW	1 WHITE 2 BROWN 3 GREEN 4 YELLOW 5 GREY 6 PINK 7 BLUE 8 RED
CODING REQUIRED TO IEC 61076-2-101				

ITEM	DESCRIPTION	MATERIAL	FINISH
6	LABEL	---	---
5	CABLE	SEE TABLE (SHEET 2)	---
4	OVERMOULDING	TPU	BLACK
3	COUPLING NUT MALE SW13	BRASS	NI PLATED
2	PIN CONTACT	BRASS	GOLD PLATED
1	INSERT	PA	BLACK

ENTER DESCRIPTION EC NO: IPG2015-0861 DRW:FSCHAFHAUSER 2014/11/06 CHK:DRSILLER 2014/11/07 APPR:CBURGER 2014/11/14	QUALITY SYMBOLS ▽=0 ◻=0	GENERAL TOLERANCES (UNLESS SPECIFIED)		DIMENSION STYLE MM ONLY		SCALE 1:1	DESIGN UNITS METRIC	THIRD ANGLE PROJECTION	
		mm INCH		DRAWN BY FSCHAFHAUSER	DATE 2014/01/07	TITLE CSE M12 XP AC MA STR XM SE UNSH			
		4 PLACES ± --- ± ---	3 PLACES ± --- ± ---	CHECKED BY PMERUNKA	DATE 2014/03/06				
		2 PLACES ± 0.05 ± ---	1 PLACE ± 0.30 ± ---	APPROVED BY CBURGER	DATE 2014/05/07				
0 PLACE ± 0.50 ± ---		ANGULAR ± 1 °		MATERIAL NO. SEE TABLE	DOCUMENT NO. SD-120065-073	SHEET NO. 1 OF 3			
DRAFT WHERE APPLICABLE MUST REMAIN WITHIN DIMENSIONS				THIS DRAWING CONTAINS INFORMATION THAT IS PROPRIETARY TO MOLEX INCORPORATED AND SHOULD NOT BE USED WITHOUT WRITTEN PERMISSION					

NUMERICAL CODE (Available parts see table page 3 ff others on request.)




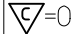
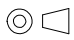
CABLE TYPE	WIRE GAUGE	CABLE JACKET	UL	CSA	static	flexing	drag chain tested	other
B30 3P, 4P, 5P	0.34mm²	TPU black	STYLE 21215	yes	-40°C to +90°C 5xD	-25°C to +80°C 7.5xD	5 mio cycles	WELD SLAG RESISTANCE
B42 5P								
B41 8P	0.25mm²	TPU black	STYLE 21215	yes	-40°C to +90°C 5xD	-25°C to +80°C 7.5xD	5 mio cycles	WELD SLAG RESISTANCE

For cable specification see on drawing SD-120209-001 (B30;B42) and SD-120209-006 (B41)

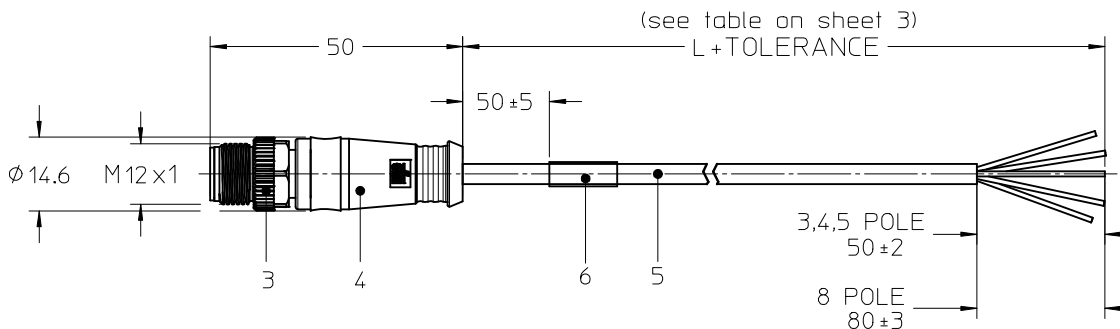
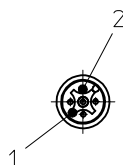
ENTER DESCRIPTION EC NO: IPG2015-0861 DRW:FSCHAFHAUSER 2014/11/06 CHK:RSILLER 2014/11/07 APPR:CBURGER 2014/11/14	DESCRIPTION REV 4	QUALITY SYMBOLS	GENERAL TOLERANCES (UNLESS SPECIFIED)	DIMENSION STYLE MM ONLY	SCALE 1:1	DESIGN UNITS METRIC	THIRD ANGLE PROJECTION
		▽=0 ◻=0	mm INCH 4 PLACES ± --- ± --- 3 PLACES ± --- ± --- 2 PLACES ± 0.05 ± --- 1 PLACE ± 0.30 ± --- 0 PLACE ± 0.50 ± ---	DRAWN BY DATE FSCHAFHAUSER 2014/01/07 CHECKED BY DATE PMERUNKA 2014/03/06 APPROVED BY DATE CBURGER 2014/05/07	TITLE CSE M12 XP AC MA STR XM SE UNSH		
		ANGULAR ± 1 °	MATERIAL NO. SEE TABLE	DOCUMENT NO. SD-120065-073	SHEET NO. 2 OF 3		
		DRAFT WHERE APPLICABLE MUST REMAIN WITHIN DIMENSIONS	THIS DRAWING CONTAINS INFORMATION THAT IS PROPRIETARY TO MOLEX INCORPORATED AND SHOULD NOT BE USED WITHOUT WRITTEN PERMISSION				

PART LIST

PART NUMBER	NUMERICAL CODE	CABLE LENGTH "L" IN M
1200652271	803006B30M010	1M
1200652272	803006B30M020	2M
1200652273	803006B30M050	5M
1200652274	803006B30M100	10M
1200652275	804006B30M010	1M
1200652276	804006B30M020	2M
1200652277	804006B30M050	5M
1200652278	804006B30M100	10M
1200659440	804006B30M150	15M
1200659526	805006B30M010	1M
1200659527	805006B30M020	2M
1200659528	805006B30M050	5M
1200659529	805006B30M100	10M
1200652279	805006B42M010	1M
1200652280	805006B42M020	2M
1200652281	805006B42M050	5M
1200652282	805006B42M100	10M
1200659546	805006B42M200	20M
1200659547	805006B42M300	30M
1200652302	808006B41M010	1M
1200659453	808006B41M020	2M
1200652304	808006B41M050	5M
1200652305	808006B41M100	10M

ENTER DESCRIPTION EC NO: IPG2015-0861 DRWN:FSCHAFHAUSER 2014/11/06 CHKD:RSILLER 2014/11/07 APPR:CBURGER 2014/11/14	DESCRIPTION REV 4	QUALITY SYMBOLS  =0  =0	GENERAL TOLERANCES (UNLESS SPECIFIED) <table border="1"> <thead> <tr> <th></th> <th>mm</th> <th>INCH</th> </tr> </thead> <tbody> <tr><td>4 PLACES</td><td>± ---</td><td>± ---</td></tr> <tr><td>3 PLACES</td><td>± ---</td><td>± ---</td></tr> <tr><td>2 PLACES</td><td>± 0.05</td><td>± ---</td></tr> <tr><td>1 PLACE</td><td>± 0.30</td><td>± ---</td></tr> <tr><td>0 PLACE</td><td>± 0.50</td><td>± ---</td></tr> </tbody> </table>		mm	INCH	4 PLACES	± ---	± ---	3 PLACES	± ---	± ---	2 PLACES	± 0.05	± ---	1 PLACE	± 0.30	± ---	0 PLACE	± 0.50	± ---	DIMENSION STYLE MM ONLY	SCALE 1:1	DESIGN UNITS METRIC	 THIRD ANGLE PROJECTION
			mm	INCH																					
		4 PLACES	± ---	± ---																					
		3 PLACES	± ---	± ---																					
2 PLACES	± 0.05	± ---																							
1 PLACE	± 0.30	± ---																							
0 PLACE	± 0.50	± ---																							
		DRAWN BY: FSCHAFHAUSER DATE: 2014/01/07	CHECKED BY: PMERUNKA DATE: 2014/03/06	TITLE CSE M12 XP AC MA STR XM SE UNSH																					
		APPROVED BY: CBURGER DATE: 2014/05/07	MATERIAL NO. SEE TABLE		DOCUMENT NO. SD-120065-073		SHEET NO. 3 OF 3																		
		DRAFT WHERE APPLICABLE MUST REMAIN WITHIN DIMENSIONS	THIS DRAWING CONTAINS INFORMATION THAT IS PROPRIETARY TO MOLEX INCORPORATED AND SHOULD NOT BE USED WITHOUT WRITTEN PERMISSION																						

STRAIGHT PLUG MALE



NOTES:

TEMPERATURE RANGE	SEE TABLE ON PAGE 2
CONTACT CURRENT RATING	3-5 POLES 4A 8 POLES 2A
VOLTAGE RATING	3-4 POLES 250V 5 POLES 60V 8 POLES 30V
PROTECTION CLASS	IP 67

TOLERANCES :	
≤ 1m	+40 mm
1m - 5m	+60 mm
5m - 10m	+80 mm
> 10m	+140 mm
> 20m	+160 mm
> 30m	+1%

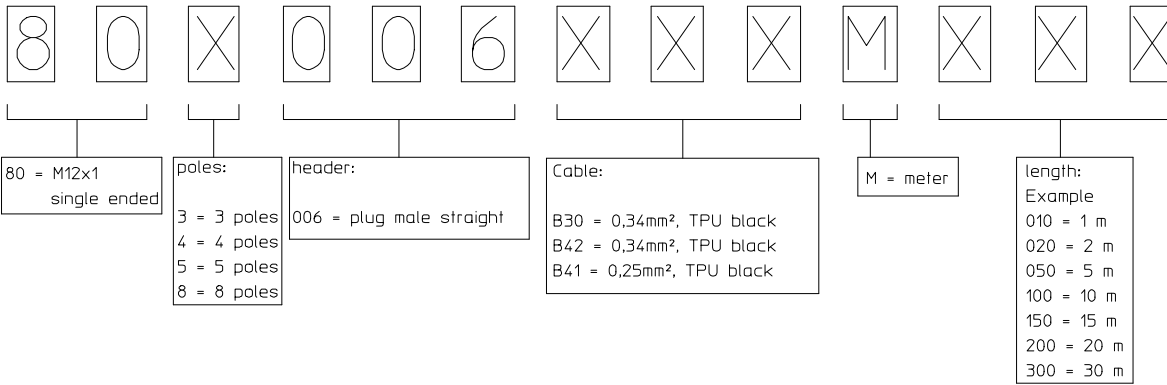
Mating face view:

3 WIRE	4 WIRE	5 WIRE	5 WIRE	8 WIRE
B30	B30	B30	B42	B41
PIN # WIRE	PIN # WIRE	PIN # WIRE	PIN # WIRE	PIN # WIRE
1 BROWN 2 - 3 BLUE 4 BLACK 5 -	1 BROWN 2 WHITE 3 BLUE 4 BLACK 5 -	1 BROWN 2 WHITE 3 BLUE 4 BLACK 5 GREY	1 BROWN 2 WHITE 3 BLUE 4 BLACK 5 GREEN/YELLOW	1 WHITE 2 BROWN 3 GREEN 4 YELLOW 5 GREY 6 PINK 7 BLUE 8 RED
CODING REQUIRED TO IEC 61076-2-101				

ITEM	DESCRIPTION	MATERIAL	FINISH
6	LABEL	---	---
5	CABLE	SEE TABLE (SHEET 2)	---
4	OVERMOULDING	TPU	BLACK
3	COUPLING NUT MALE SW13	BRASS	NI PLATED
2	PIN CONTACT	BRASS	GOLD PLATED
1	INSERT	PA	BLACK

ENTER DESCRIPTION EC NO: IPG2015-0861 DRW:FSCHAFHAUSER 2014/11/06 CHK:RSILLER 2014/11/07 APPR:CBURGER 2014/11/14	QUALITY SYMBOLS = 0 = 0	GENERAL TOLERANCES (UNLESS SPECIFIED)		DIMENSION STYLE MM ONLY		SCALE 1:1	DESIGN UNITS METRIC	THIRD ANGLE PROJECTION	
		4 PLACES ± --- ± --- 3 PLACES ± --- ± --- 2 PLACES ± 0.05 ± --- 1 PLACE ± 0.30 ± --- 0 PLACE ± 0.50 ± ---		DRAWN BY DATE FSCHAFHAUSER 2014/01/07		TITLE CSE M12 XP AC MA STR XM SE UNSH			
		ANGULAR ± 1 °		CHECKED BY DATE PMERUNKA 2014/03/06					
		DRAFT WHERE APPLICABLE MUST REMAIN WITHIN DIMENSIONS		APPROVED BY DATE CBURGER 2014/05/07					

NUMERICAL CODE (Available parts see table page 3 ff others on request.)




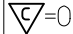
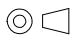
CABLE TYPE	WIRE GAUGE	CABLE JACKET	UL	CSA	static	flexing	drag chain tested	other
B30 3P, 4P, 5P	0.34mm²	TPU black	STYLE 21215	yes	-40°C to +90°C 5xD	-25°C to +80°C 7.5xD	5 mio cycles	WELD SLAG RESISTANCE
B42 5P								
B41 8P	0.25mm²	TPU black	STYLE 21215	yes	-40°C to +90°C 5xD	-25°C to +80°C 7.5xD	5 mio cycles	WELD SLAG RESISTANCE

For cable specification see on drawing SD-120209-001 (B30;B42) and SD-120209-006 (B41)

ENTER DESCRIPTION EC NO: IPG2015-0861 DRWN:FSCHAFHAUSER 2014/11/06 CHKD:RSILLER 2014/11/07 APPR:CBURGER 2014/11/14	DESCRIPTION REV	QUALITY SYMBOLS	GENERAL TOLERANCES (UNLESS SPECIFIED)	DIMENSION STYLE	SCALE	DESIGN UNITS	THIRD ANGLE PROJECTION	
		▼=0 □=0	mm INCH 4 PLACES ± --- ± --- 3 PLACES ± --- ± --- 2 PLACES ± 0.05 ± --- 1 PLACE ± 0.30 ± --- 0 PLACE ± 0.50 ± --- ANGULAR ± 1 ° DRAFT WHERE APPLICABLE MUST REMAIN WITHIN DIMENSIONS	MM ONLY DRAWN BY: FSCHAFHAUSER 2014/01/07 CHECKED BY: PMERUNKA 2014/03/06 APPROVED BY: CBURGER 2014/05/07	1:1	METRIC	TITLE: CSE M12 XP AC MA STR XM SE UNSH DOCUMENT NO.: SD-120065-073 SHEET NO.: 2 OF 3	
		4	SEE TABLE	MATERIAL NO.				THIS DRAWING CONTAINS INFORMATION THAT IS PROPRIETARY TO MOLEX INCORPORATED AND SHOULD NOT BE USED WITHOUT WRITTEN PERMISSION

PART LIST

PART NUMBER	NUMERICAL CODE	CABLE LENGTH "L" IN M
1200652271	803006B30M010	1M
1200652272	803006B30M020	2M
1200652273	803006B30M050	5M
1200652274	803006B30M100	10M
1200652275	804006B30M010	1M
1200652276	804006B30M020	2M
1200652277	804006B30M050	5M
1200652278	804006B30M100	10M
1200659440	804006B30M150	15M
1200659526	805006B30M010	1M
1200659527	805006B30M020	2M
1200659528	805006B30M050	5M
1200659529	805006B30M100	10M
1200652279	805006B42M010	1M
1200652280	805006B42M020	2M
1200652281	805006B42M050	5M
1200652282	805006B42M100	10M
1200659546	805006B42M200	20M
1200659547	805006B42M300	30M
1200652302	808006B41M010	1M
1200659453	808006B41M020	2M
1200652304	808006B41M050	5M
1200652305	808006B41M100	10M

ENTER DESCRIPTION EC NO: IPG2015-0861 DRWN:FSCHAFHAUSER 2014/11/06 CHKD:RSILLER 2014/11/07 APPR:CBURGER 2014/11/14	DESCRIPTION REV 4	QUALITY SYMBOLS  =0  =0	GENERAL TOLERANCES (UNLESS SPECIFIED) <table border="1"> <thead> <tr> <th></th> <th>mm</th> <th>INCH</th> </tr> </thead> <tbody> <tr><td>4 PLACES</td><td>± ---</td><td>± ---</td></tr> <tr><td>3 PLACES</td><td>± ---</td><td>± ---</td></tr> <tr><td>2 PLACES</td><td>± 0.05</td><td>± ---</td></tr> <tr><td>1 PLACE</td><td>± 0.30</td><td>± ---</td></tr> <tr><td>0 PLACE</td><td>± 0.50</td><td>± ---</td></tr> </tbody> </table>		mm	INCH	4 PLACES	± ---	± ---	3 PLACES	± ---	± ---	2 PLACES	± 0.05	± ---	1 PLACE	± 0.30	± ---	0 PLACE	± 0.50	± ---	DIMENSION STYLE MM ONLY	SCALE 1:1	DESIGN UNITS METRIC	 THIRD ANGLE PROJECTION
			mm	INCH																					
		4 PLACES	± ---	± ---																					
		3 PLACES	± ---	± ---																					
2 PLACES	± 0.05	± ---																							
1 PLACE	± 0.30	± ---																							
0 PLACE	± 0.50	± ---																							
		DRAWN BY: FSCHAFHAUSER DATE: 2014/01/07	CHECKED BY: PMERUNKA DATE: 2014/03/06	TITLE CSE M12 XP AC MA STR XM SE UNSH																					
		APPROVED BY: CBURGER DATE: 2014/05/07	MATERIAL NO. SEE TABLE		DOCUMENT NO. SD-120065-073		SHEET NO. 3 OF 3																		
		DRAFT WHERE APPLICABLE MUST REMAIN WITHIN DIMENSIONS	THIS DRAWING CONTAINS INFORMATION THAT IS PROPRIETARY TO MOLEX INCORPORATED AND SHOULD NOT BE USED WITHOUT WRITTEN PERMISSION																						